

Octopus



COMPACT 20 & COMPACT TSi

- **Compact TSi model with Integrated Top Sheet Device for Packaging Quality and Space Savings**

Dust or water protection.
Significant space savings on the factory floor and an efficient wrapping process without any stand-by time.

- **Container Compatible for Overseas Deliveries**

- **Easy and Safe Maintenance**

All wrapping unit motors located on the moving unit. Therefore the preventive maintenance work can be done easily and safely from the factory floor level.



Shown with integrated top sheet dispenser.

- **No Touch No Tail for Automatic Warehouse Compatibility**

No Touch No Tail seaming with durable cutting element leaves no hazardous film tails and prevents the seaming device from touching the load itself.

- **Easy2Fix film reel loading**

Easy to use, a simple solution for fixing the film end. Faster and safer film reel change; film end is fixed to a help gripper outside of the ring structure.

- **OctoFACE HMI for a Visual User Experience**

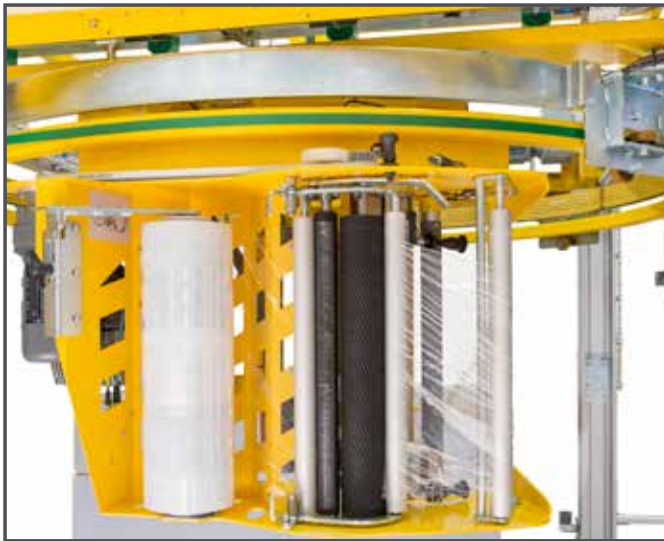
FULLY AUTOMATIC STRETCH WRAPPING MACHINE WITH INTEGRATED TOP SHEET DISPENSER FOR LOW CAPACITY END OF LINE SOLUTIONS

NEW OCTOPUS

COMPACT 20 & COMPACT TSi SERIES

A completely new design, either with or without integrated Top Sheet device, based on the proven Octopus design and ring technology.

The **Octopus Compact 20 / Compact TSi** provides optimal load containment while optimizing the film usage. The ring technology means that the wrapping can be done for instance from bottom to top, or vice versa, or just single wrapping, decreasing significantly the film usage.



“S” type film carriage for easy, quick and safe film reel change. “S” type film carriage structure offers less film necking and better Pre-Stretch performance compared to W-type film carriage, and significantly lowers the overall cost of ownership.

Octopus Compact 20 / Compact TSi is equipped with **No Touch No Tail** film seaming as standard. No Touch No Tail seaming leaves no hazardous film tails and prevents the seaming device from touching the load itself.



The **Integrated Top Sheet Dispenser** (Compact TSi model) to protect the load against either dust or water ingress. It gives significant space savings on the factory floor and the top film positioning is extremely accurate. It allows a solid top cover without any film seaming on top of the pallet. The whole wrapping process is fluent and efficient as the top sheet is added during the wrapping cycle.



OctoFACE HMI for a visual user experience, tailored for various demands, being simple and informative, providing shorter down time and problem solving without any technical personnel.

Options

- Load stability improvement by **stretch film roping**
- **Tail Tucker** - cycle end and film cut solution for construction industry.

Technical data of Octopus Compact 20 / Compact TSi



Shown with integrated top sheet dispenser.

Standard configuration listed below.
Please contact your sales representative for additional options.

Power & Air Requirements

Power: 3 x 380 VAC / 50 Hz
3 x 400 VAC / 50 Hz
3 x 415 VAC / 50 Hz

Pneumatics: 0.6 MPa, max 50 l/cycle

Structure

Aluminum frame

Performance

Speed: 20 rpm

Maximum Load Size: 1300 mm W x 1300 mm L x 2000 mm H, optional height 2500 or 3000 mm (conveyor height 500 mm)

Note: Maximum load size depends on the width and length combination. Please contact us for more information.

Minimum Pallet Height: 400 mm without top sheet, 750 mm with top sheet

Maximum Load Weight: Dependent on conveyor

Shipping Information

Dimensions: 2310 mm W x 3200 mm L x 1500 mm H (Compact 20)
2400 mm W x 3600 mm L x 2250 mm H (Compact TSi)

Machine Weight: 1500 kg (Compact 20)
1800 kg (Compact TSi)

Film Delivery System

Film Capacity: 500 mm W x 250 mm Dia.

Film Tension: Constant control

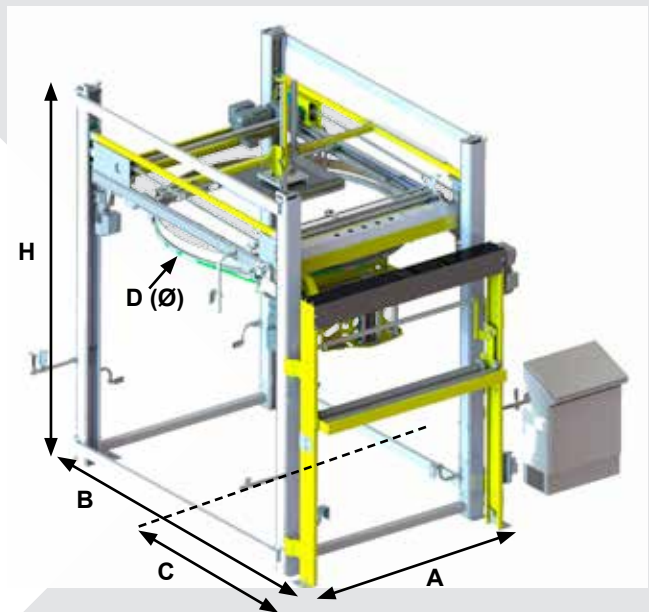
Tension Control: Adjustable from HMI

Film Threading: Easy thread "S" carriage

Cut & Seal: No Touch-No Tail (NT²) seamer

Optional Equipment

Pallet lift device
Safety light guarding
Conveyors
Roping device
Tail Tucker
Ring maintenance locks
Safety fence with electrical lockout switch



Machine Dimensions

	A	B	C	D	H* (frame)
Compact 20	2190 mm	3254 mm	1569 mm	2300 mm	3420 / 3920 / 4420 mm
Compact TSi	2190 mm	3616 mm	1993 mm	2300 mm	3420 / 3920 / 4420 mm
*Additional height for load stabilizer					630 mm